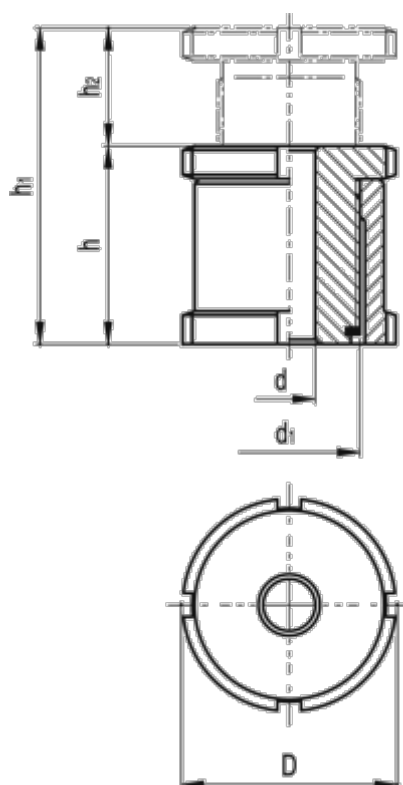


Data Sheet



Article number: 20660270C
Description: E+G Levelling set
GN 350-80-39-A-ST

Measures



C-spanner DIN 1810 = A80-90	
d	= 39.0
D	= 80
d1	= M60x2
For screw	= M36
h	= 76
h1	= 126
h2	= 50

Max static load (N)	= 495.0
Static preload (N)	= 101.0
Weight (g)	= 1671